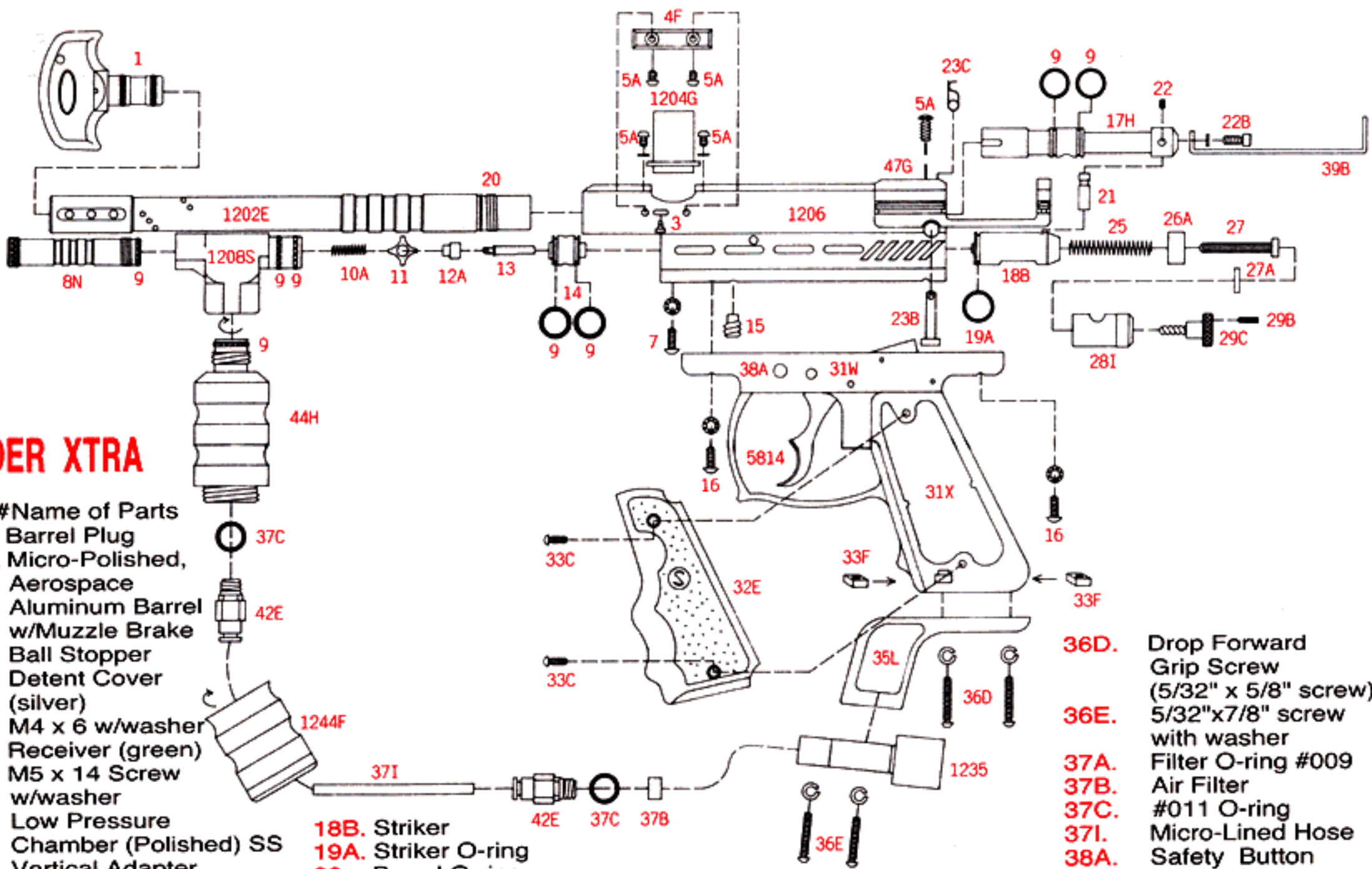


Spyder Xtra



SPYDER XTRA

ITEM # Name of Parts

- 1.** Barrel Plug
- 1202E.** Micro-Polished, Aerospace Aluminum Barrel w/Muzzle Brake
- 3.** Ball Stopper
- 4F.** Detent Cover (silver)
- 5A.** M4 x 6 w/washer
- 1206.** Receiver (green)
- 7.** M5 x 14 Screw w/washer
- 8N.** Low Pressure Chamber (Polished) SS
- 1208S.** Vertical Adapter
- 9.** O-ring #015 80D
- 10A.** Valve Spring
- 11.** Cup Seal Guide
- 12A.** Cup Seal
- 13.** Valve Pin
- 14.** Valve Body
- 15.** Valve Body Screw
- 16.** M5 x 12 Screw with washer
- 17H.** Venturi-Cocking Bolt
- 18B.** Striker
- 19A.** Striker O-ring
- 20.** Barrel O-ring
- 21.** Bolt Pin
- 22.** Bolt Screw
- 23B.** Quick Disconnect Pin
- 23C.** Disconnect Lock Pin
- 25.** Striker Spring
- 26A.** Striker Buffer
- 27.** Striker Spring Guide
- 27A.** Flat Disk
- 28I.** Striker Bolt Plug (silver)
- 29B.** Lock Screw
- 29C.** Thumb Adjuster w/screw
- 31X.** Deluxe Double Trigger Frame & Assembly
- 32E.** Deluxe 45 Grip Cover
- 33C.** Grip cover screws
- 33F.** Nut Screw
- 1235.** C/A Adapter
- 35L.** Deluxe Drop Forward
- 36D.** Drop Forward Grip Screw (5/32" x 5/8" screw)
- 36E.** 5/32"x7/8" screw with washer
- 37A.** Filter O-ring #009
- 37B.** Air Filter
- 37C.** #011 O-ring
- 37I.** Micro-Lined Hose
- 38A.** Safety Button
- 1204G.** Direct feed
- 1241G.** Spare Parts Kit
- 42E.** Quick Release Micro-Line Hose Adapter
- 44H.** Model S Expansion Chamber (silver)
- 1244.** Mini Fore Grip
- 47G.** Beaver Tail (silver)
- 39B.** Cocking Rod