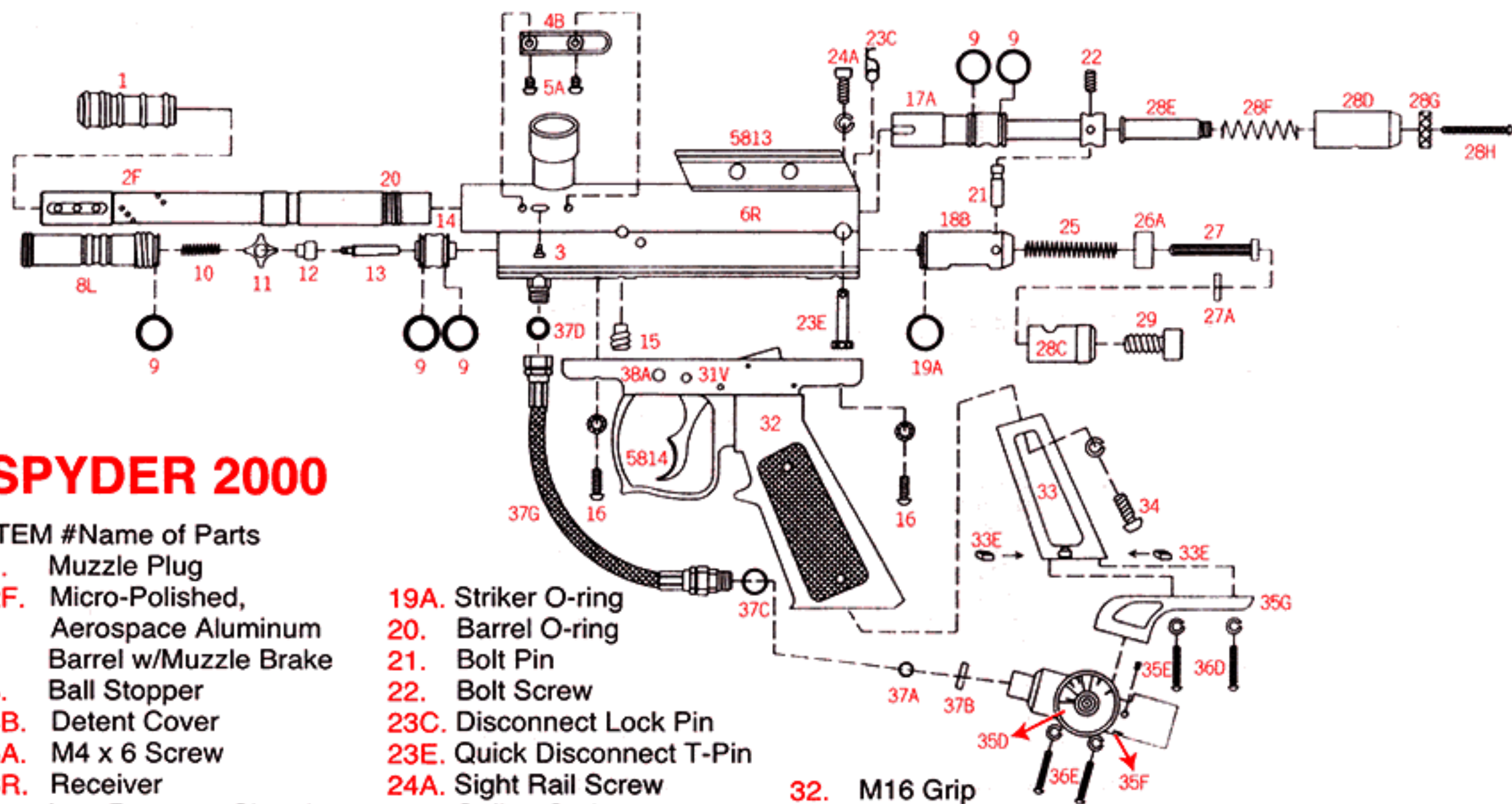


Spyder 2000



SPYDER 2000

ITEM #Name of Parts

- | | | | | | | | |
|------|----------------------------------------------------------|------|----------------------------------------|-------|-----------------------------------------------------------|------|---------------------------------|
| 1. | Muzzle Plug | 19A. | Striker O-ring | 32. | M16 Grip | 36E. | 5/32" x 7/8" screw with washer" |
| 2F. | Micro-Polished, Aerospace Aluminum Barrel w/Muzzle Brake | 20. | Barrel O-ring | 33. | Rack | 37A. | Filter O-ring #009 |
| 3. | Ball Stopper | 21. | Bolt Pin | 33E. | Nut Screw | 37B. | Air Filter |
| 4B. | Detent Cover | 22. | Bolt Screw | 34. | 1/4" x 1" Screw with washer" | 37C. | #011 O-ring |
| 5A. | M4 x 6 Screw | 23C. | Disconnect Lock Pin | 35C. | C/A Adapter with Regulator | 37D. | Plastic washer |
| 6R. | Receiver | 23E. | Quick Disconnect T-Pin | 35D. | Gauge | 37G. | Disconnect Hose |
| 8L. | Low Pressure Chamber | 24A. | Sight Rail Screw | 35E. | Regulator Adjust Screw | 38A. | Safety Button |
| 9. | O-ring #015 80D | 25. | Striker Spring | 35F. | Screw M4 x 5 | 40. | Powerfeed Plug |
| 10. | Valve Spring | 26A. | Striker Buffer | 36D. | "Drop Forward Grip Screw (5/32" x 5/8" screw with washer) | 41F. | Spare Parts Kit |
| 11. | Cup Seal Guide | 27. | Striker Spring Guide | 5813. | Raised Mini Sight Rail | | |
| 12. | Cup Seal | 27A. | Flat Disk | | | | |
| 13. | Valve Pin | 28C. | Striker Plug | | | | |
| 14. | Valve Body | 28D. | Snap Bolt Plug | | | | |
| 15. | Valve Body Screw | 28E. | Snap Tube | | | | |
| 16. | M5 x 12 Screw with washer | 28F. | Tube Spring | | | | |
| 17A. | 2nd Generation Venturi Bolt | 28G. | Snap Cocking Knob | | | | |
| 18B. | Striker | 28H. | Snap Rod | | | | |
| | | 29. | Adjust Screw | | | | |
| | | 31V. | Deluxe Double Trigger Frame & Assembly | | | | |